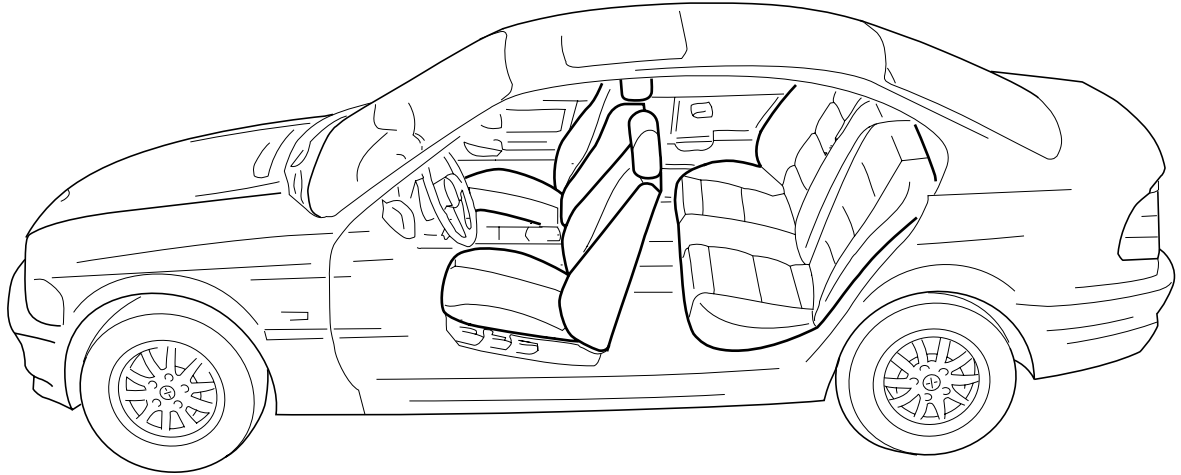




Teile und Zubehör - Einbauanleitung



F 46 0001 EVA

BMW Parts and Accessories - Installation Instruction Leather Trim BMW 3 Series (E46/4)

Contents		Page
1	Important notes	1-2
2	Installation	2-3
3	Installation notes	3-1

1. Important notes

(Only for use in the BMW trading organisation).

Installation time at least 8 hours for two front seats as well as rear seat and rear-seat back.

Installation times can vary depending on the condition and fittings of the vehicle.

Target group

Target group for these installation instructions are skilled personnel trained on BMW passenger cars.

Work to be carried out

All maintenance work, repair work, installation and adjustment work on passenger cars is done at own responsibility.

All operations should be carried out with the aid of the current BMW

- Repair instructions, - Circuit diagrams,
- Maintenance manuals, - Work instructions,
- Diagnostics manuals

in rational sequence using the prescribed tools (special-purpose tools) whilst paying due regard to the current health and safety regulations.

Safety instructions

Please note the following before starting on the installation:

For installation/removal of the driver's/front-passenger seat, please note the safety regulations for dealing with the airbag modules and pyrotechnic belt tensioners.

Wrong handling could lead to the release of the pyrotechnic belt tensioner.

2. Installation

Notes

Note the safety instructions in Chapter 1.

Note tightening torques for screw and pipe connections in the workshop documentation "Technical data 52 10 1AZ".

The customary workshop information forms the basis for installation of accessories. Work steps departing from this are described in detail in chapters 2 and 3.

- Preparatory work see Chapter 3.1
- Open fold-out page**
- A**
- 1 Leather cover for front seat (1) install. See Chapter 3.2
- B**
- 2 Rear seat cushion (2)..... take off. Divide the retaining clips with the aid of side-cutting pliers and take off cloth cover. Remove remains of clips.
- 3 Leather cover (3) put on.
- 4 Centre wire bows (4) with the aid of the
- 5 Retaining clips (5)..... connect with the trimming wires.
- 6 Special pliers (6)..... apply and press retaining clips (5) together.
- 7 Transverse wire bows (7) clamp on with special pliers (6).
- 8 Outer wire bows (8) clamp on with special pliers (6).
- C**
- 9 Leather cover (9)..... fit to the contours on the rear side of the cushion.
- 10 Cover tabs (10) hitch on to retaining bows.
- 11 Contour band (11)..... draw tight and hook firmly to the rear side of the cushion. Clamp contour band on (11).
- D**
- Only with through-load facility**
- 12 Side part (12)..... remove. Remove staples and take off cloth cover.
- 13 Leather cover (13) put on from above and fit to the contours.
- 14 Cover eyelets (14) hitch on to the hooks lying opposite.
- 15 Wire bows (15)..... hitch on to the hooks lying opposite.
- E**
- Only with through-load facility - 2/3 or 1/3 backrest part**
- 16 Cover (16) remove.
- 17 Clips (17) open and remove.
- 18 Fold (18) prise out.
- F**
- Only with through-load facility**
- 19 Bearing bolt (19)..... at 2/3 or 1/3 backrest part undo and remove. Remove centre armrest bracket at the 2/3 backrest part. Take off cloth cover. Clamp leather cover on to backrest cushion.
- G**
- Only with through-load facility - 2/3 backrest part**
- 20 Plastic profile (20)..... attach in area of the centre armrest to the upholstery claws.
- H**
- Only with through-load facility - 2/3 or 1/3 backrest part**
- 21 Fold (21) fold over and hammer down.
- 22 Leather cover (22) pull over the head part and fit clips (17) in again. Mount cover (16). Screw in bearing bolt (19).

I

Only without through-load facility

- | | | |
|-----------|-----------------------------|---|
| 23 | Rear seat cushion (23)..... | take off. Divide retaining clips with the aid of the side-cutting pliers and pull off cloth cover. Remove remains of clips. |
| 24 | Leather cover (24)..... | put on. |
| 25 | Plastic profile (25)..... | draw over the edge inwards. |
| 26 | Special pliers (26)..... | apply. |
| 27 | Retaining clips (27)..... | press together. |

J

Only without through-load facility with centre armrest

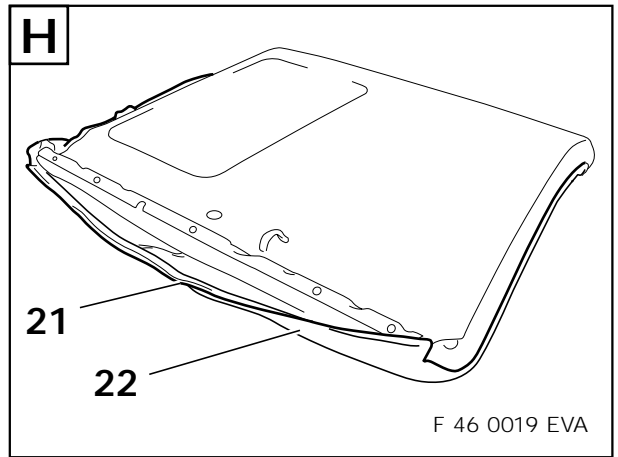
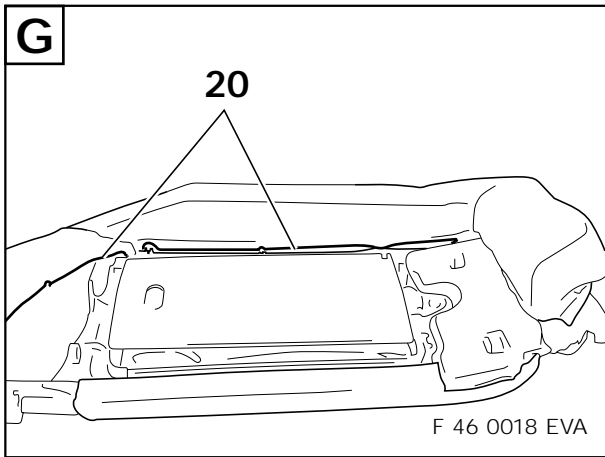
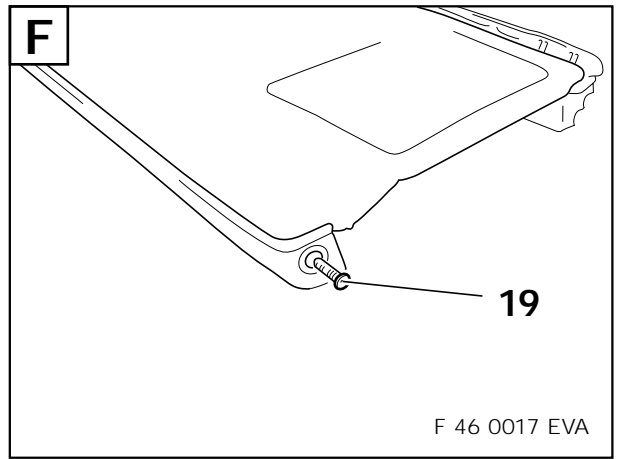
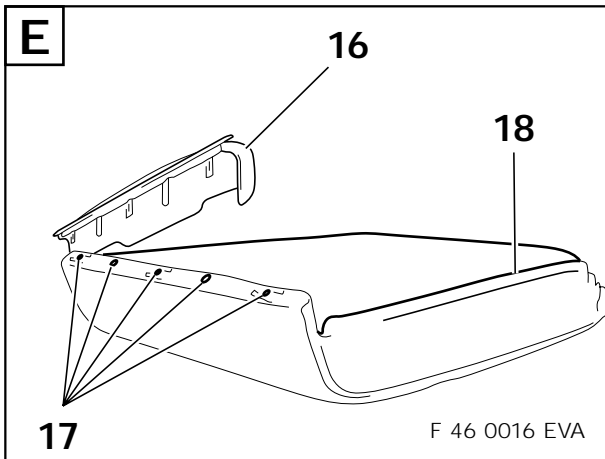
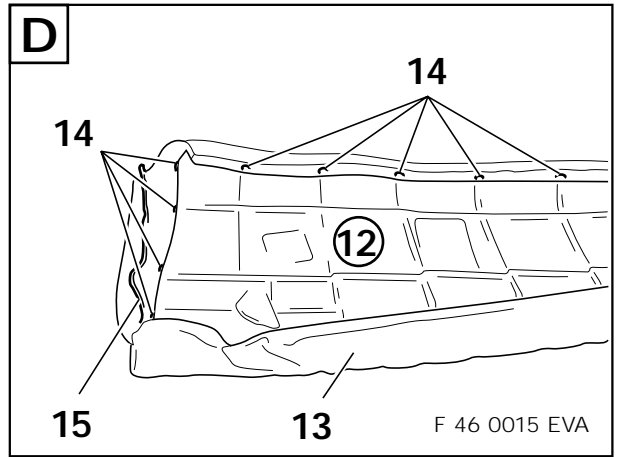
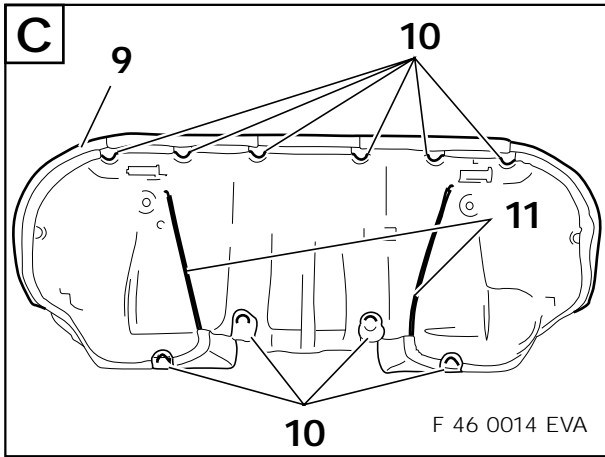
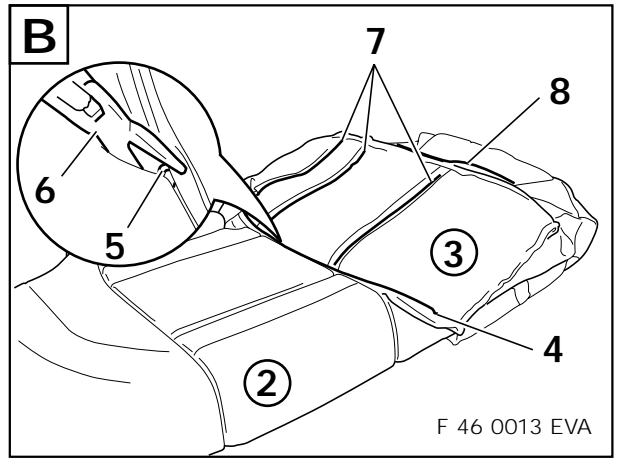
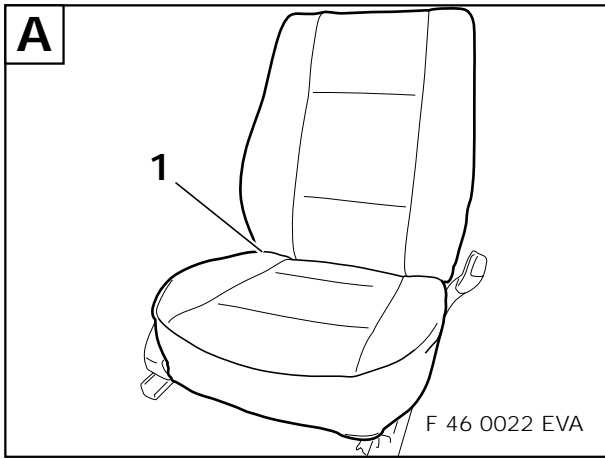
- | | | |
|-----------|----------------------------------|---|
| 28 | Centre armrest bracket (28)..... | detach and fit leather cover. |
| 29 | Cover tabs (29)..... | draw over the backrest bows. |
| 30 | Leather cover (30) | clamp on to rear seat cushion and reassemble centre armrest bracket (28). |

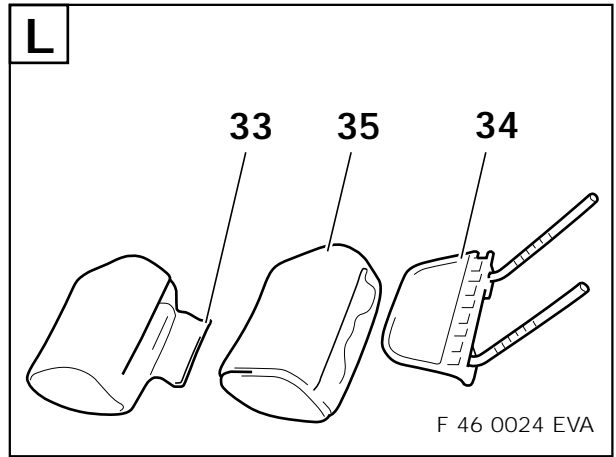
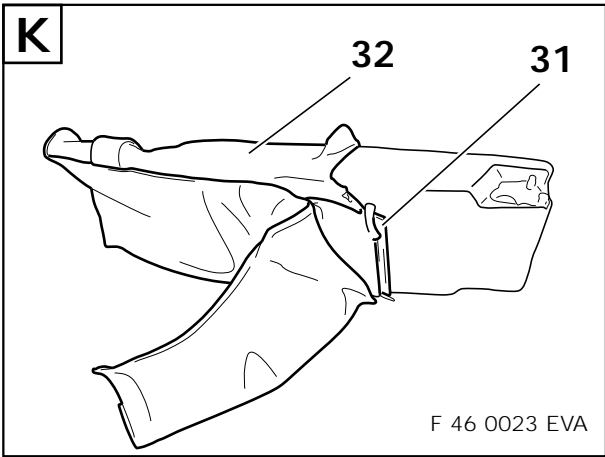
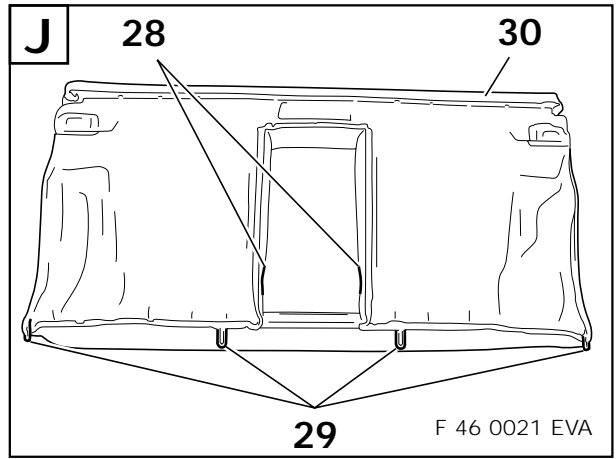
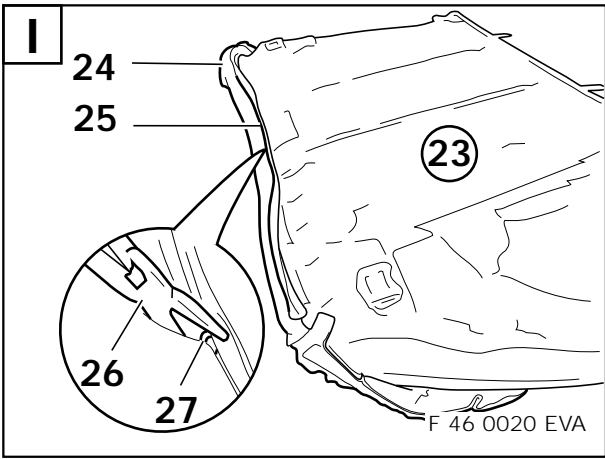
K

- | | | |
|-----------|--------------------------|--|
| 31 | Folding strips (31)..... | at the centre armrest open. Take off cloth cover. |
| 32 | Leather cover (32)..... | put on. Fold folding strips (31) into one another. |

L

- | | | |
|-----------|----------------------------|---|
| 33 | Cloth cover fold (33)..... | of the headrest, prise out. |
| 34 | Headrest support (34)..... | take out. |
| 35 | Foam part (35)..... | separate from cloth cover and pull leather cover over it. |
| | Headrest..... | assemble in reverse order of disassembly. |
- Finalising operations..... see Chapter 3.3





3. Installation notes

Contents		Page
3.1	Preliminary work	3-4
3.2	Install leather cover for front seat	3-5
3.3	Finalising operations.....	3-20

3.1 Preliminary work

Dismantle front seats on left and right.

Dismantle rear seat and rear seat back or rear seat backs.

Dismantle centre armrest at rear.

Dismantle existing headrests.

Remove first aid kit from front passenger seat.

Go back to Chapter 2.

3.2 Install leather cover for front seat

Open fold-out page

A

Pull out plastic pins (1) from the backrest and pull fold (2) out of the back panel (3). Remove back panel. Press headrest support (4) from the inside of the backrest outwards and remove it. Remove backrest cushion (5) from the frame of the seat. Pull off cloth cover by releasing the clamped-on wire bows with side-cutting pliers. Remove wire bows and insert them in the same arrangement in the retaining tabs of the leather cover.

B

Only with electrical seat adjustment

Pull off adjustment button (6). Undo screw (7). Pull out plastic pins. If the plastic pins become damaged replace them for reinstalling. Remove cover (8) at the side.

C

Only with mechanical seat adjustment

Loosen screw (9). Pull out plastic pins. If the plastic pins become damaged replace them for reinstalling. Remove cover (10) at the side.

D

Only with mechanical seat adjustment

Open up the connection of the adjustment mechanism (11) with the sled. Loosen screw of the adjustment fitting (12), if necessary by operating the adjustment lever and remove adjustment fitting (12). Open fold at the underside of the seat frame and remove seat cushion (13). Pull off cloth cover by using side-cutting pliers to undo the clamped-on wire bows. Remove wire bows and insert them in the same arrangement in the retaining tabs of the leather cover.

E

Put leather cover (14) on the backrest cushion (15). Connect wire bows (16) with the trimming wires by retaining clips (17) and press together the retaining clips (17) with special pliers (18).

F

Put leather cover (19) on the seat cushion (20). Connect wire bows with the trimming wires by the retaining clips and press together the retaining clips with special pliers. Clamp on leather cover working from the centre outwards (the same as **E**). Pull leather cover over the seat cushion and clamp tabs (21) at the underside.

G

Only sports seat

Insert wire bows (22) at the thigh support opening (23) of the seat cushion and clamp at the underside of the seat cushion (24). Fit seat cushion to the contours of the seat frame.

H

Pull leather cover tight on the seat frame and at the seat-frame underside fold the fold (25) over the edge (26). Give the fold (25) a few light knocks with a rubber hammer on the edge (26).

Only front passenger seat

Guide electrical cable of the seat occupancy detection system down and put on at the underside of the seat.

I

Turn seat frame round. Fold over reinforced leather cover strip (27) towards the front and insert in the direction of the arrow.

J

Pull backrest cushion over the seat frame and pull cover flanges (28) through to the back between seat cushion (29) and seat back. Pull leather cover tight and fix fold at the edge of the seat frame (30). Reassemble headrest support.

Only sports seat

Draw together staypad (31) and while taut attach to back part (32).

K

Only normal seat

Insert back piece (33) and use the drill holes (34) to fix the correct position. Insert fold (35) of the leather cover which has been drawn tight towards the back into the notch (36) and press down firmly. To make fitting easier, the fold (35) can be hammered with a rubber hammer.

L

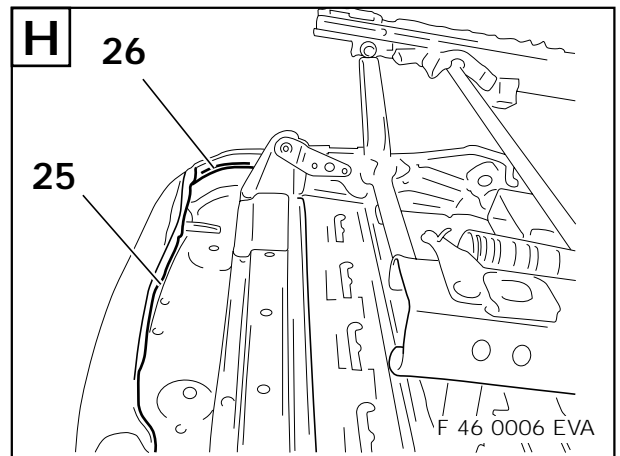
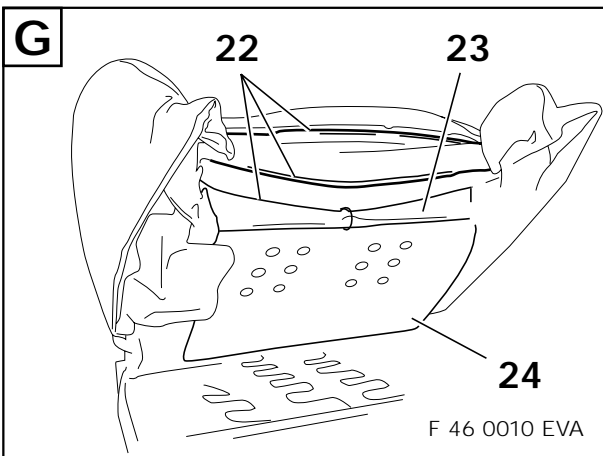
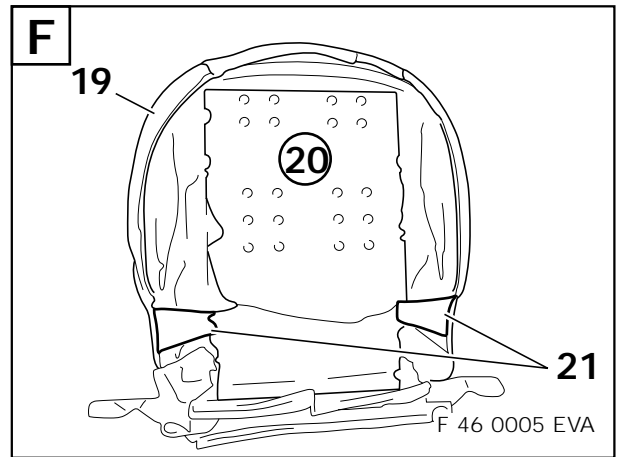
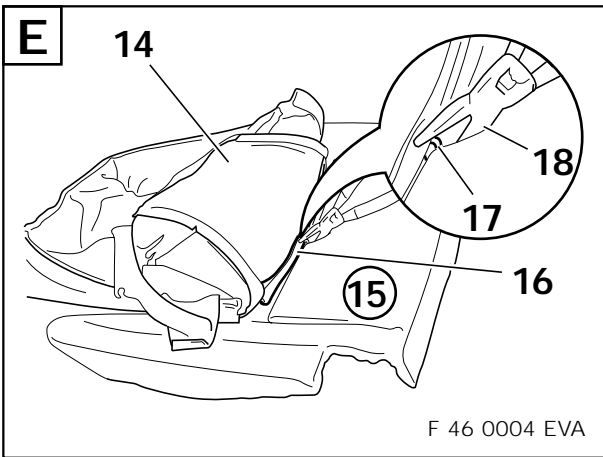
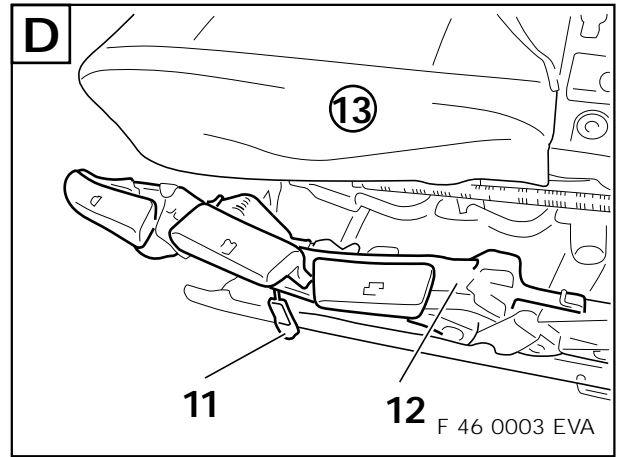
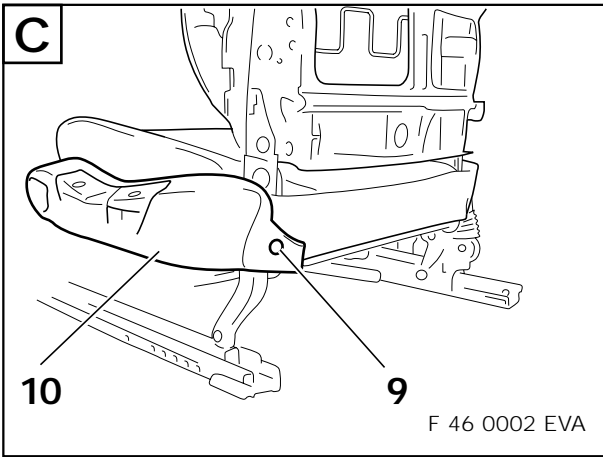
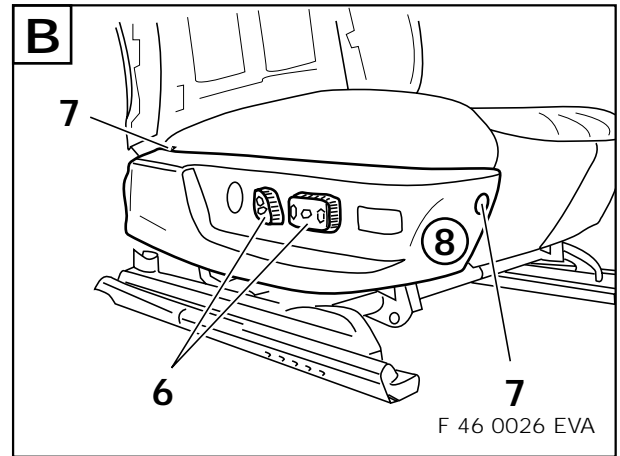
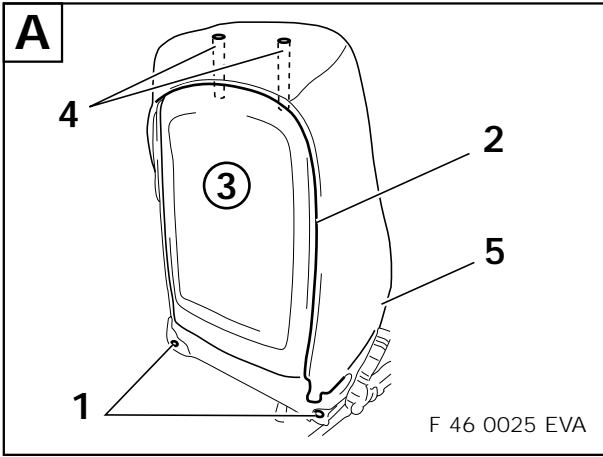
Prepare leather cover at the back for the plastic pin with the aid of the awl (37) and insert plastic pin.

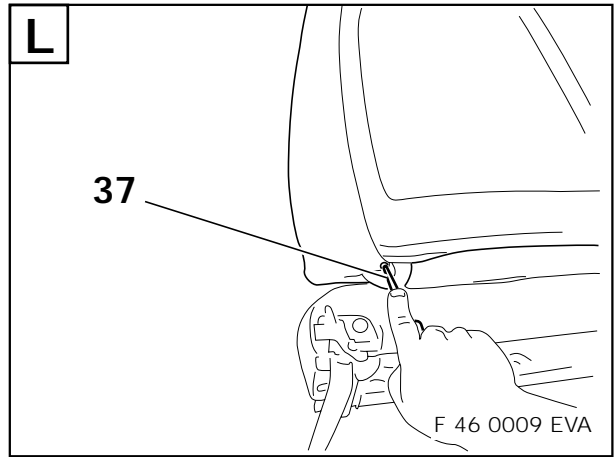
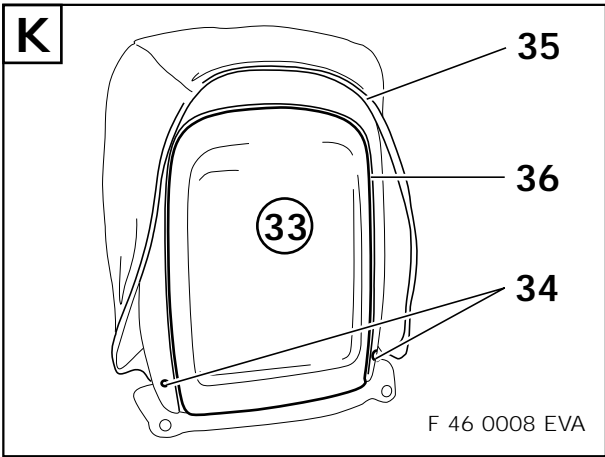
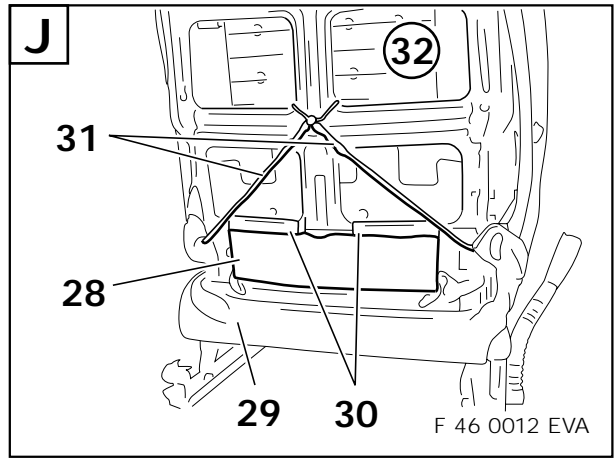
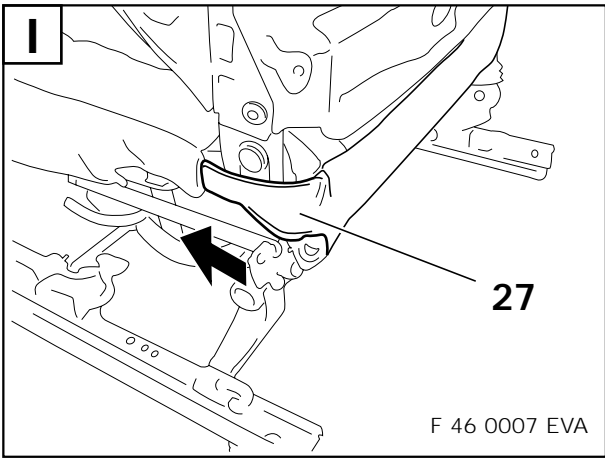


Check seat adjustment for proper functioning. ◀

Reassemble panel at front and covers. Place first aid box in the support under the front passenger seat.

Go back to Chapter 2.





3.3 Lavori conclusivi

Tutti i modelli

Montare il bracciolo centrale posteriore.

Montare il sedile posteriore e lo/gli schienale/i.

Montare i sedili anteriori sinistro e destro.

Montare i poggiatesta presenti.



Controllare il funzionamento del riconoscimento dell'occupazione del sedile del passeggero con il computer di diagnosi. Se vi sono indicazioni di errore cancellare eventualmente la memoria errori. ◀

Codificazione

Questo sistema non è rilevante ai fini della codificazione.