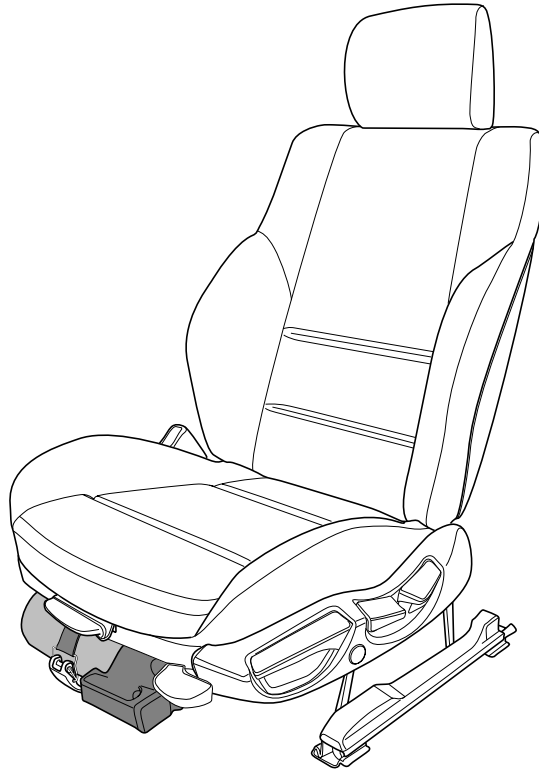




Parts and Accessories Installation Instructions



F 53 0093 EVA

Fire extinguisher retrofit kit BMW 3 Series (E 46) and X5 (E 53)

The installation time is approx. 0.5 hours, but this may vary depending on the condition of the car and the equipment in it.

Retrofit/Installation kit No. 82 27 9,413,886
82 27 0 009 925

Contents

Section	Page
Important information	3
1. Preparations	4
2. To install the fire extinguisher	5
3. Concluding work	6

Important information

The retrofit kit is for use within the BMW dealership organisation only.

Installation information

The tightening torque values for screw connections must be adhered to, they are set out in the Technical Information System (TIS).

All work is shown using a left-hand drive vehicle. On RHD cars some work must be completed the opposite way round.

All work is shown on a manual sport seat.

On cars with manual sport seats the fire extinguisher is to be installed with its handle on the right. On all other cars the handle is to be positioned on the left.

The fire extinguisher can only be installed on the driver's seat.

Target group

The target group for these installation instructions is specialist personnel trained on BMW cars with specialist knowledge of vehicle electrical systems.

Work:

All servicing, repair and installation work on BMW cars is completed at your own risk.

All work must be completed using the latest BMW repair manuals and circuit diagrams in a rational order using the prescribed tools (special tools) and observing current health and safety regulations.

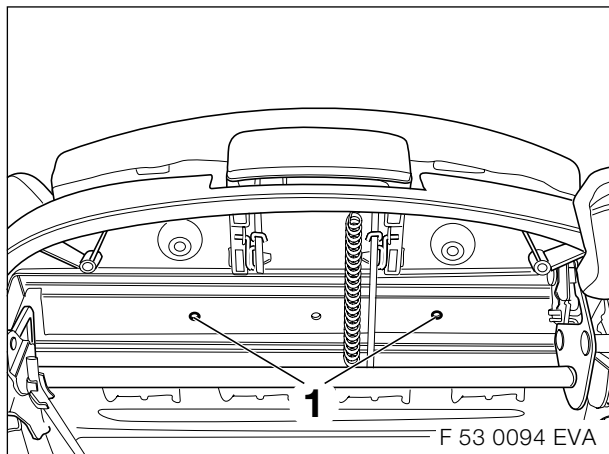
Special tools required

Thread tap M6

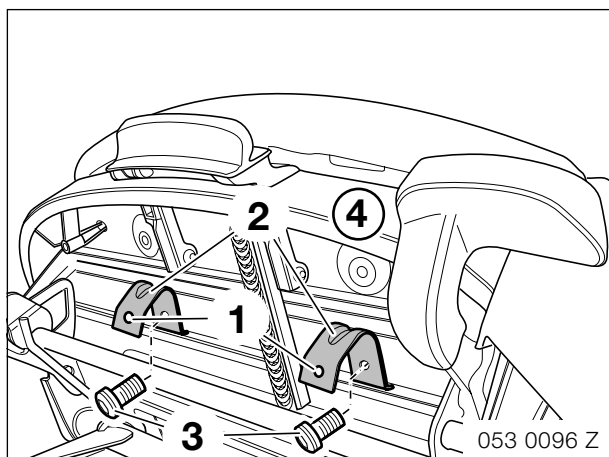
1. Preparations

The following components must be removed first of all:	TIS instruction No.
Driver seat	52 14 00

2. To install the fire extinguisher

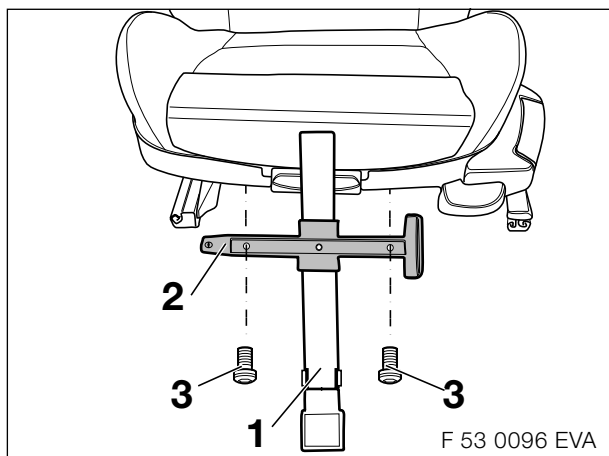


Tap M6 threads in the existing holes (1).



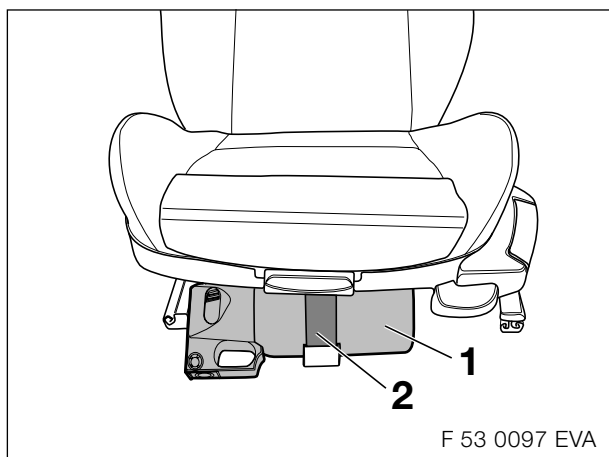
Tap M6 threads in the existing holes (1) on the bracket (2).

Screw the bracket (2) to the underside of the seat frame (4) using Torx screws M6x12 (3).



Insert the strap (1) into the holder (2).

Screw the holder to the bracket using a Torx screw M6x12 (3).



Insert the fire extinguisher (1) into the holder and secure it with the strap (2).

3. Concluding work



- Affix the sticker in a suitable position.
- Install the driver's seat



The procedure for removing and handling the fire extinguisher is described in the owner's manual supplied with the fire extinguisher. ◀